



PHONE: 252-431-1208 800-293-1004

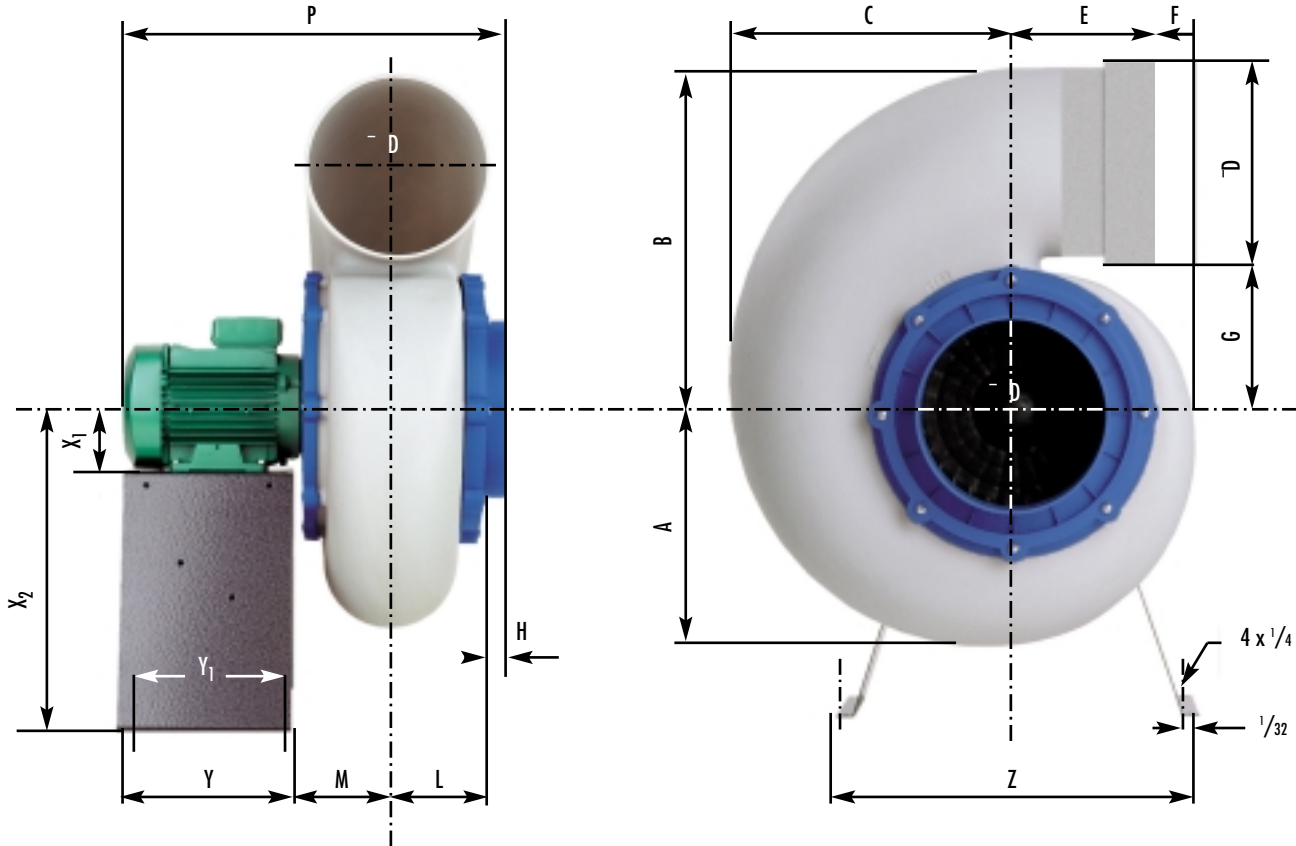
FAX: 252-430-0025

PLASTEC 30

Salare, Inc. is an authorized distributor for Plastec Fans.

Inlet Out. Dia. 9.840

Wheel Dia. 11.810
Outlet Out. Dia. 10.750

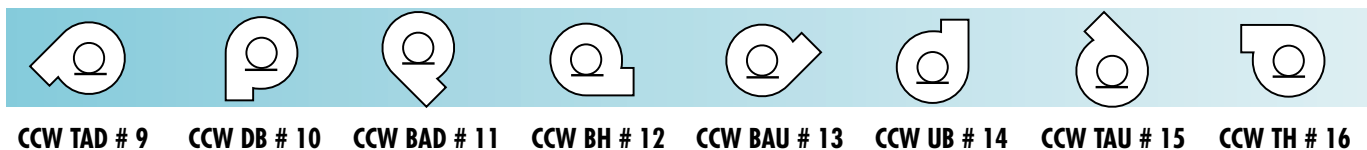


Shop/CAD drawings available on request

| DIMENSIONS (in) | | | | | | | | | | | | |
|---------------------|---------------------|----------------------|--------------------|---|---|--------------------|-------------------|--------------------|-------------------|--------------------|---------------------|--------------------|
| A | B | C | D | E | F | G | H | L | M | Y | Y ₁ | Z |
| 11 ^{-3/16} | 18 ^{-3/16} | 14 ^{-11/16} | 10 ^{-3/4} | 7 | 2 | 7 ^{-5/16} | 1 ^{-1/3} | 4 ^{-5/16} | 4 ^{-3/4} | 9 ^{-2/16} | 8 ^{-11/16} | 18 ^{-1/8} |

| | 1150 RPM | 1725 RPM |
|----------------|----------------------|--------------------|
| X ₁ | 3 ^{-1/8} | 3 ^{-3/16} |
| X ₂ | 17 ^{-11/16} | 18 ^{-1/8} |
| P | 22 ^{-2/16} | 23 ^{-5/8} |

FAN DISCHARGES VIEWED FROM DRIVE SIDE - UPBLAST IS STANDARD



CCW TAD # 9

CCW DB # 10

CCW BAD # 11

CCW BH # 12

CCW BAU # 13

CCW UB # 14

CCW TAU # 15

CCW TH # 16

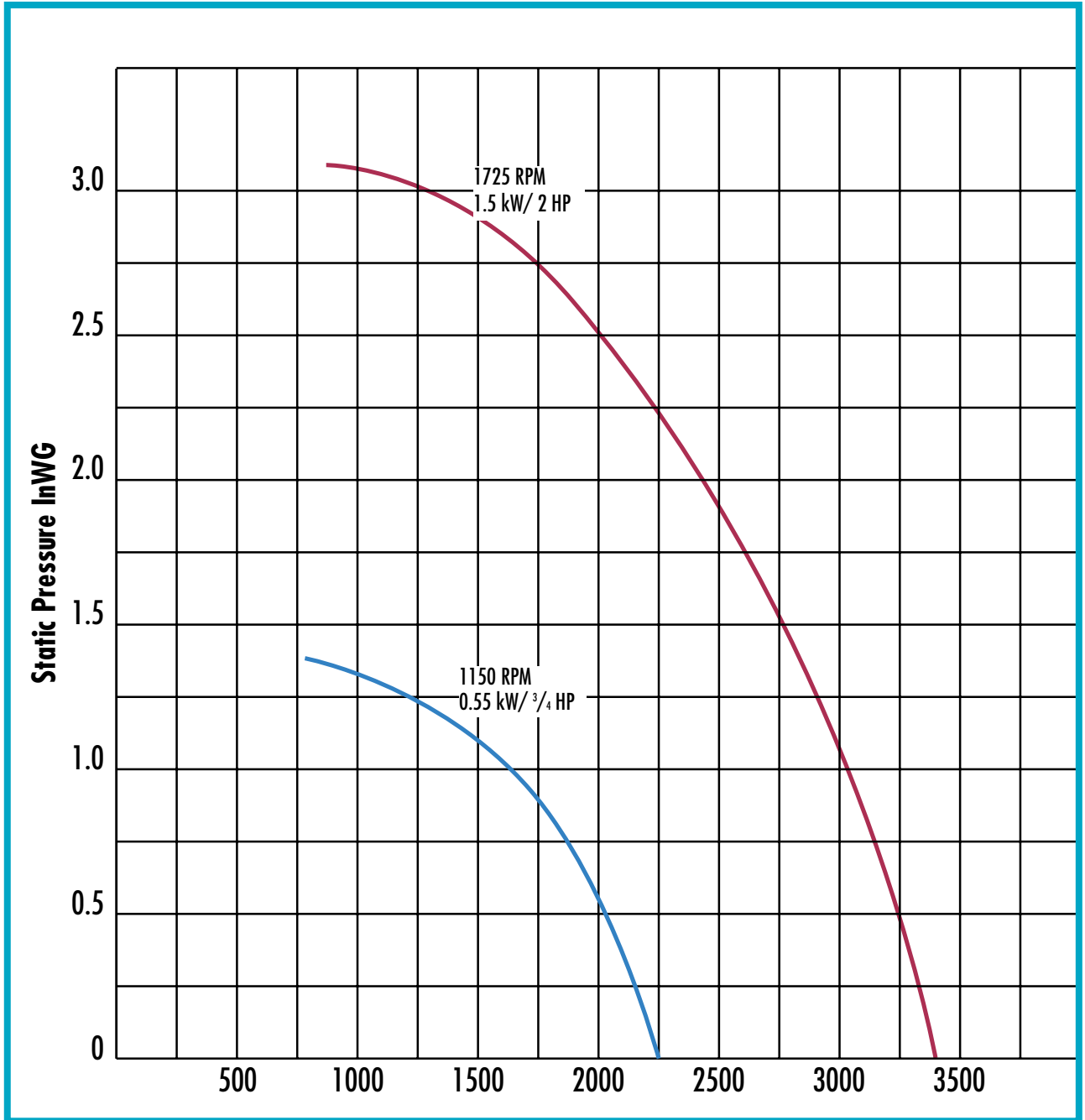
PLASTEC 30

PHONE: 252-431-1208

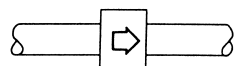
FAX: 252-430-0025



Salare, Inc. is an authorized distributor for Plastec Fans.



| R.P.M. | dB (A) |
|--------|--------|
| 1150 | 44 |
| 1725 | 54 |
| 3450 | 72 |



Noise level (Ducted inlet/outlet)

Airflow CFM