



PHONE: 252-431-1208 800-293-1004

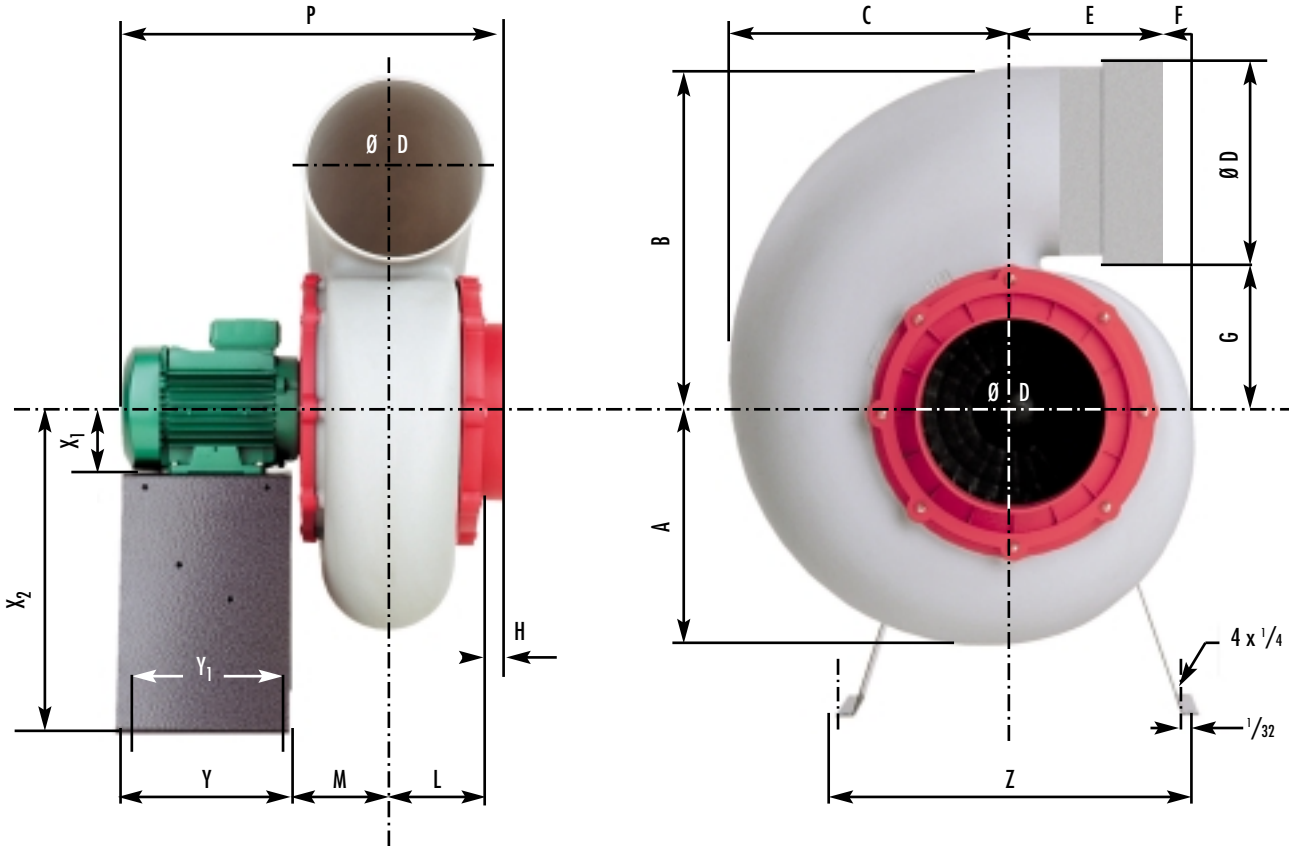
FAX: 252-430-0025

PLASTEC 25

Salare, Inc. is an authorized distributor for Plastec Fans.

Inlet Out. Dia. 7.87"

Wheel Dia. 9.84"
Outlet Out. Dia. 8.62"



Shop/CAD drawings available on request

DIMENSIONS (in)

A	B	C	D	E	F	G	H	L	M	Y	Y ₁	Z
9 ^{-3/4}	14 ^{3/4}	12 ^{-3/16}	8 ^{-5/8}	6 ^{-5/8}	1 ^{-1/16}	6 ^{-1/8}	1 ^{-1/3}	3 ^{-3/4}	4 ^{-1/8}	7 ^{-1/16}	6 ^{-5/16}	16 ^{-1/2}

	1150 RPM	1725 RPM	3450 RPM
X ₁	2 ^{-13/16}	3 ^{-1/8}	3 ^{-9/16}
X ₂	12 ^{-1/4}	12 ^{-5/8}	15 ^{-3/8}
P	18 ^{-7/8}	20 ^{-1/2}	22 ^{-13/16}

FAN DISCHARGES VIEWED FROM DRIVE SIDE - UPBLAST IS STANDARD



CCW TAD # 9



CCW DB # 10



CCW BAD # 11



CCW BH # 12



CCW BAU # 13



CCW UB # 14



CCW TAU # 15



CCW TH # 16

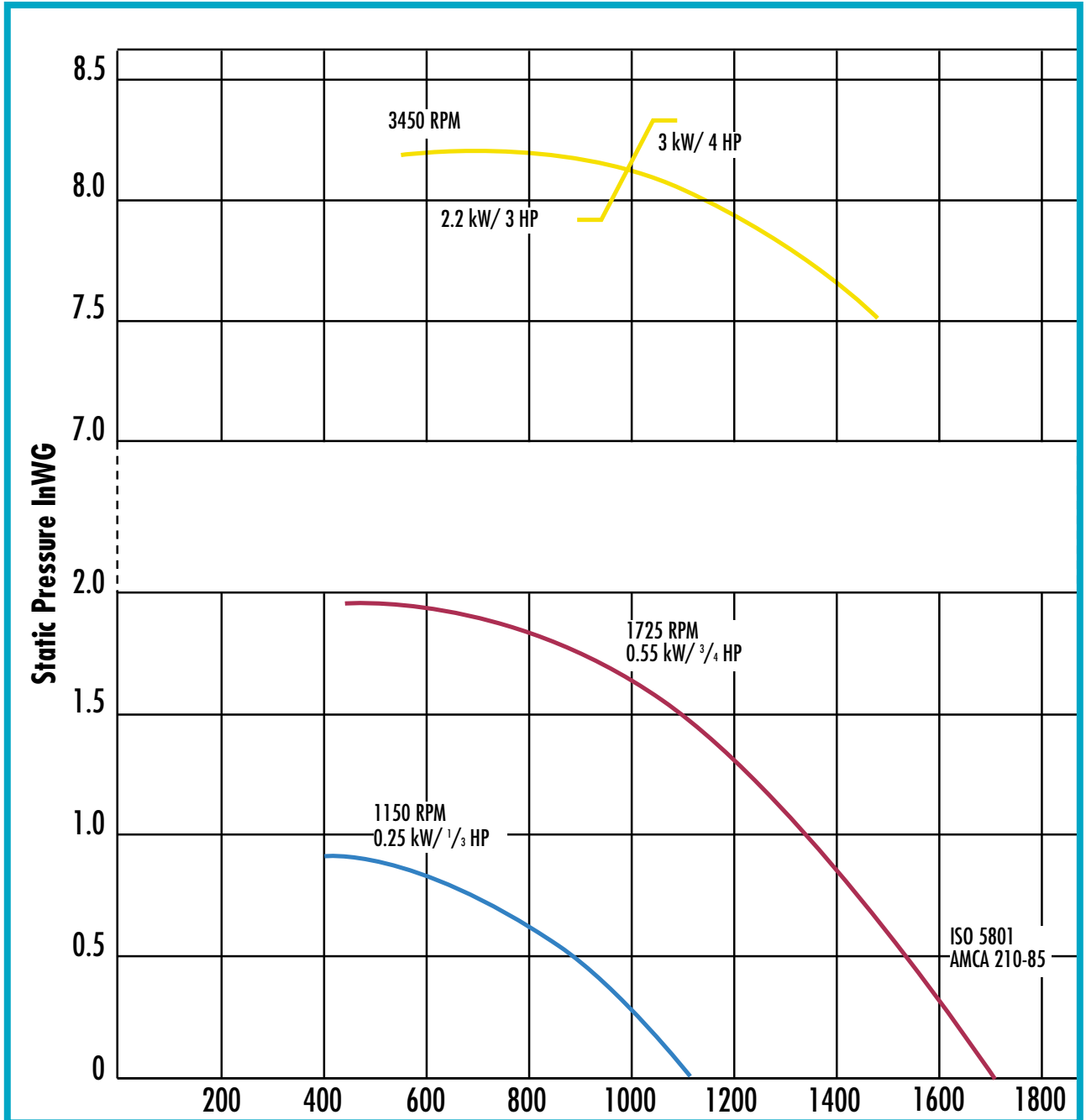
PLASTEC 25

PHONE: 252-431-1208

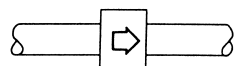
FAX: 252-430-0025



Salare, Inc. is an authorized distributor for Plastec Fans.



R.P.M.	dB (A)
1150	48
1725	58
3450	75



Noise level (Ducted inlet/outlet)

Airflow CFM