



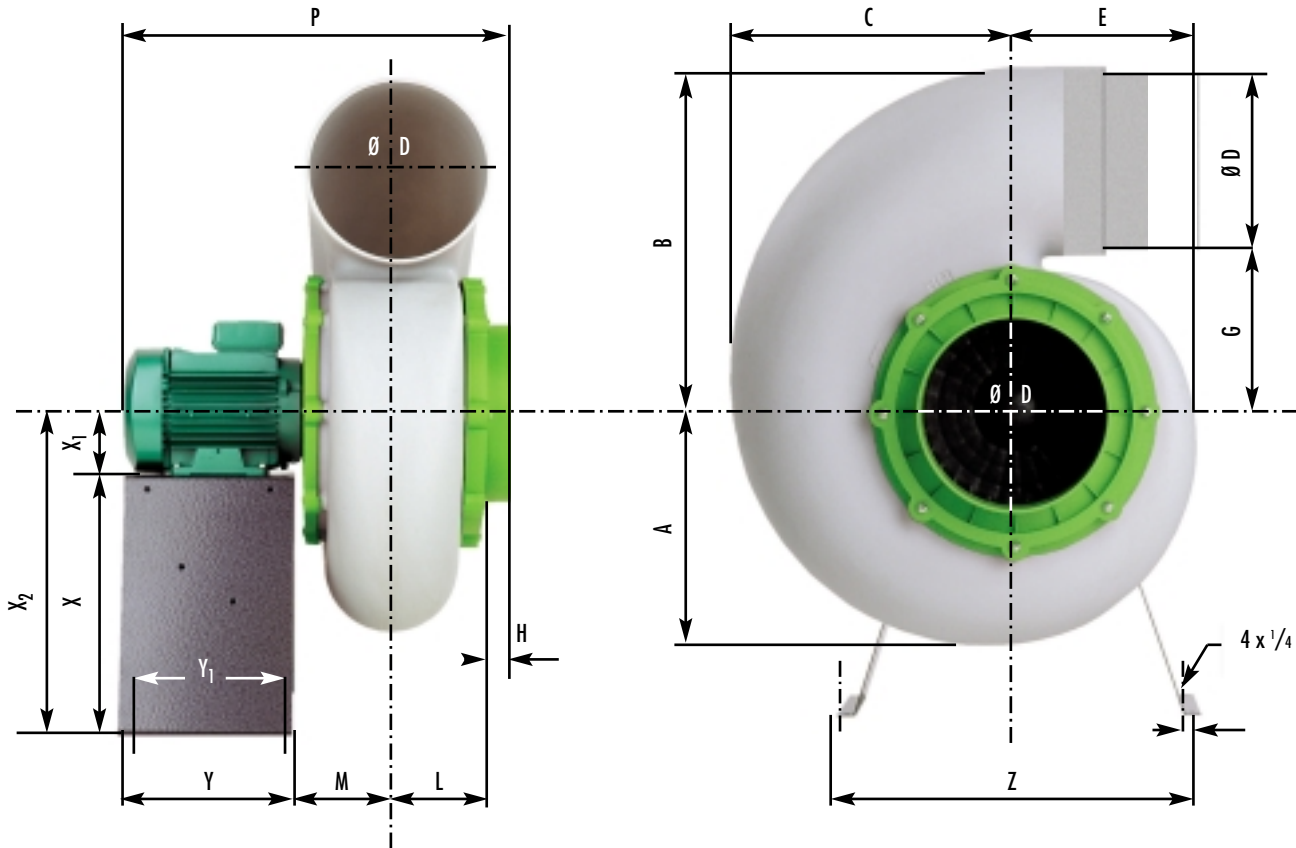
PHONE: 252-431-1208 800-293-1004

FAX: 252-430-0025

PLASTEC 15

Salare, Inc. is an authorized distributor for Plastec Fans.

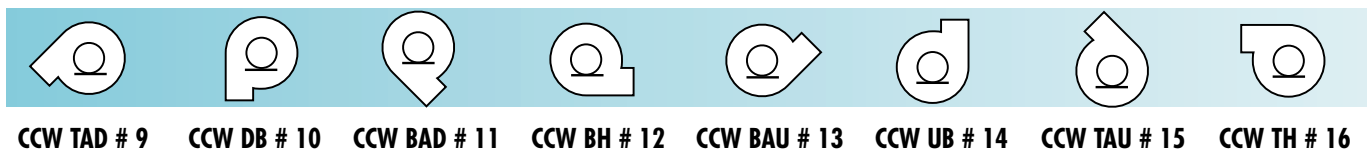
Wheel Dia. 5.90"
Inlet/Outlet Out. Dia. 4.92"



Shop/CAD drawings available on request

DIMENSIONS (in)													MOTORS		
A	B	C	D	E	G	H	L	M	P	Y	Y ₁	Z	X	1150	1725 RPM
6 ^{-1/16}	9 ^{-7/16}	8	4 ^{-7/8}	5 ^{-11/16}	4 ^{-3/4}	1 ^{-1/5}	2 ^{-3/4}	3 ^{-1/8}	14 ^{-1/4}	7 ^{-1/16}	6 ^{-5/16}	13 ^{-3/8}	9 ^{-7/16}	X ₁	2 ^{-13/16}
														X ₂	12 ^{-1/4}

FAN DISCHARGES VIEWED FROM DRIVE SIDE - UPBLAST IS STANDARD



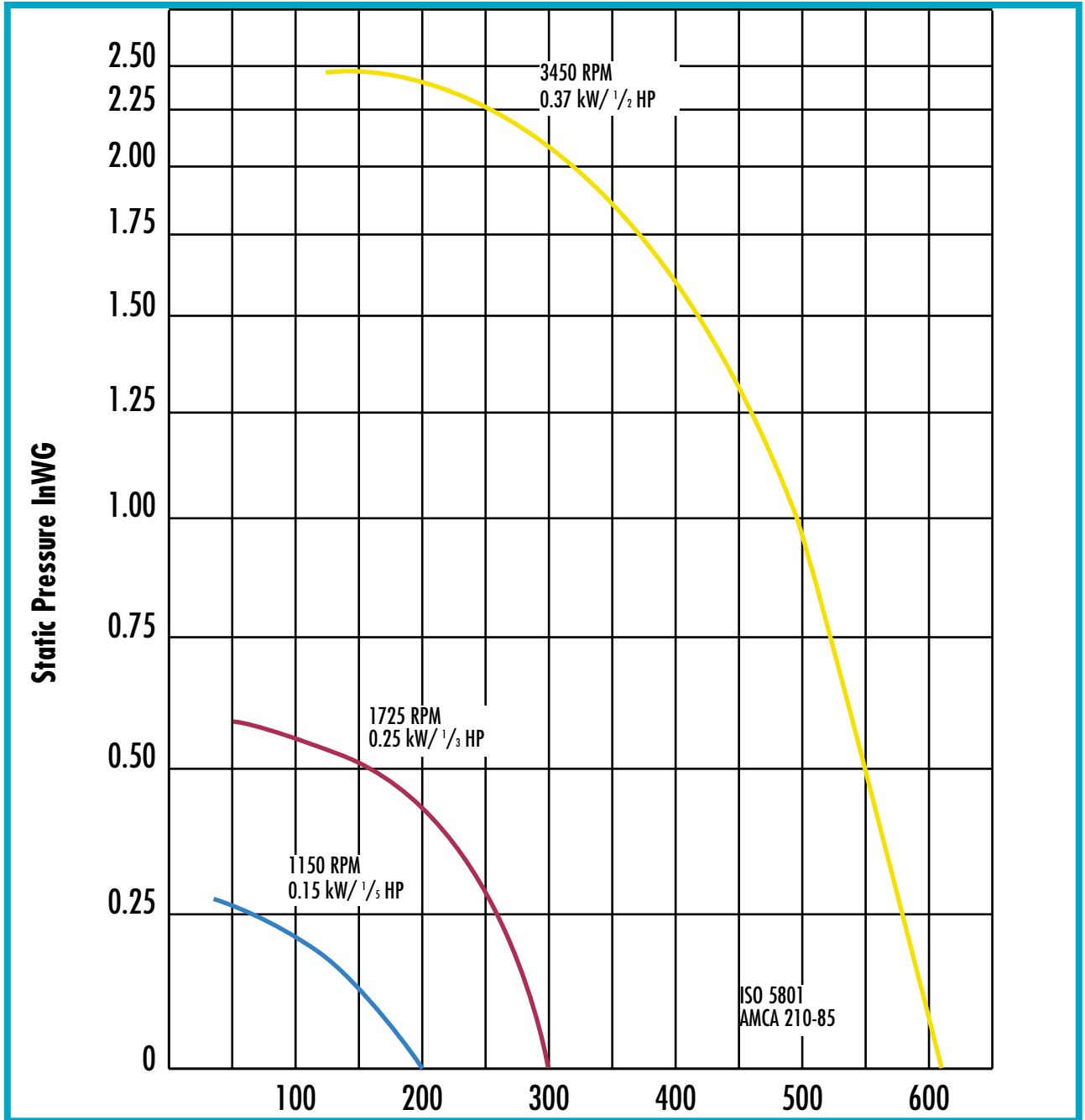
PLASTEC 15

PHONE: 252-431-1208

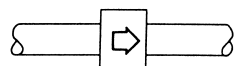
FAX: 252-430-0025



Salare, Inc. is an authorized distributor for Plastec Fans.



R.P.M.	dB (A)
1150	43
1725	54
3450	72



Noise level (Ducted inlet/outlet)

Airflow CFM